



Product features

- DC 48V , power supply over 50 meters
- High-speed transmission signals, convenient wiring installation
- Extremely long-range load, with a load capacity of up to 6144 channels (2048 RGB pixels)
- Flexible control, the data of power and pixel can be changed online
- High scale brightness , high refresh rate, exquisite screen, delicate and soft changes
- Ultra-narrow design, can be applied to different lighting scenarios

Photometric Datas

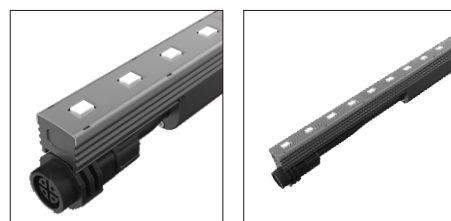
Dynamic Color	Lumen Output(lm)	Efficacy(lm/W)	CRI
 RGBW(4,000K)	1ft 151	31	80CRI
	2ft 272	31	80CRI
	3ft 381	32	80CRI
	4ft 490	33	80CRI
 RGB	1ft 102	21	/
	2ft 184	21	/
	3ft 262	22	/
	4ft 326	22	/

Beam Angle	120°
Optional accessories	U-shape clips/Mounting track

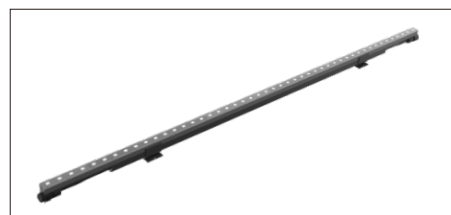


Product features:

- ◎ Single point control, clear display of video
- ◎ DC 48V , power supply over 50 meters, save the engineering cost of wires and convenient in maintenance .
- ◎ Extremely long-range load, with a big load capacity
- ◎ 65536 brightness ,5K refresh rate, 60hz frame frequency ,the flash is delicate and smooth.
- ◎ Flexible control, the data of power and pixel can be changed online
- ◎ LED life span ≥50000hours
- ◎ Suitable for architecture illuminate .



a close-up view of 0.3m fixture a close-up view of 1.2m fixture



Front view of 1.2m

Electrical

Input Voltage	24-48VDC
Power Consumption	18W/1.5meters, 15W/1.2meters, 12W/0.9meters, 9W/0.6meters, 5W/0.3meters
Pixel	60PXL 48PXL 36PXL 24PXL 12PXL
LED source	SMD3535 SMD5050
Candela	6.5 (cd/dot)
Pixel Pitch	25mm
LED Pixel	1pc RGB or 1pc RGBW
Control protocols	Serial DMX Expansion Control
Maximum Signal connection	2048 pixels (RGB) , 1536 pixels (RGBW) , max voltage line up to 50meters, max signal line 120meters
Gray level	65536
Scan Rate	>5000Hz
Frequency	60Hz

Control

Protocols	Serial DMX Expansion Control
PWM Frequency	12KHz
DMX Functionality	Available to adjust technical parameters such as fixture power and pixel in real time
Systems	compatible with DMX512 third-party control systems

Physical

Housing	High-strength AL6063 extruded aluminum
Finish	Salt spray resistant polyester powder coating, with optional colors of Gray, Black, White
Installation	Fixed bracket, Aluminum profile
Ambient Operating Temperature	-40°C to 50°C
Storage Temperature	-25°C to 70°C

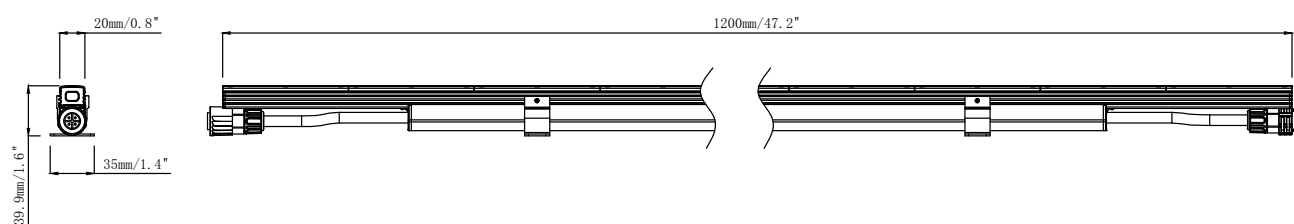
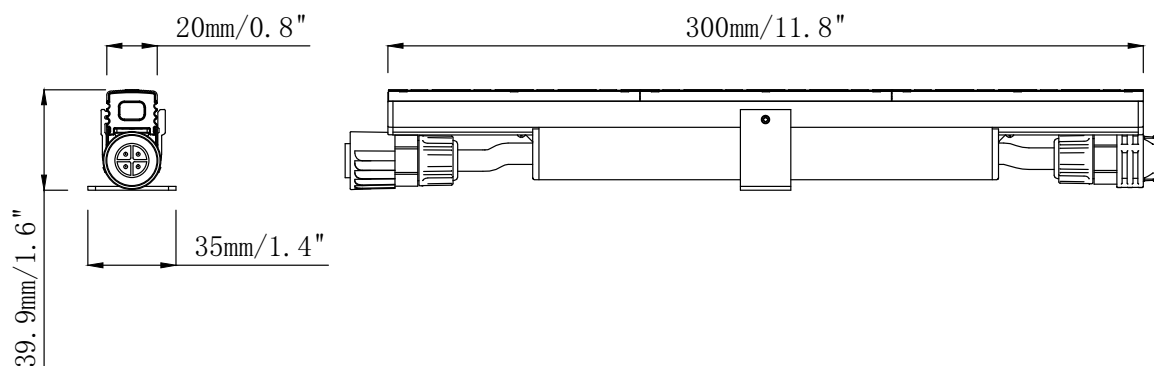
Certification & Compliance

IP Rating	IP66
Vibration Resistance	3G Rating (ANSI C136.31)
Environment	Outdoor
Certifications	ETL, CE, FCC, ROHS, REACH

Warranty

5 years

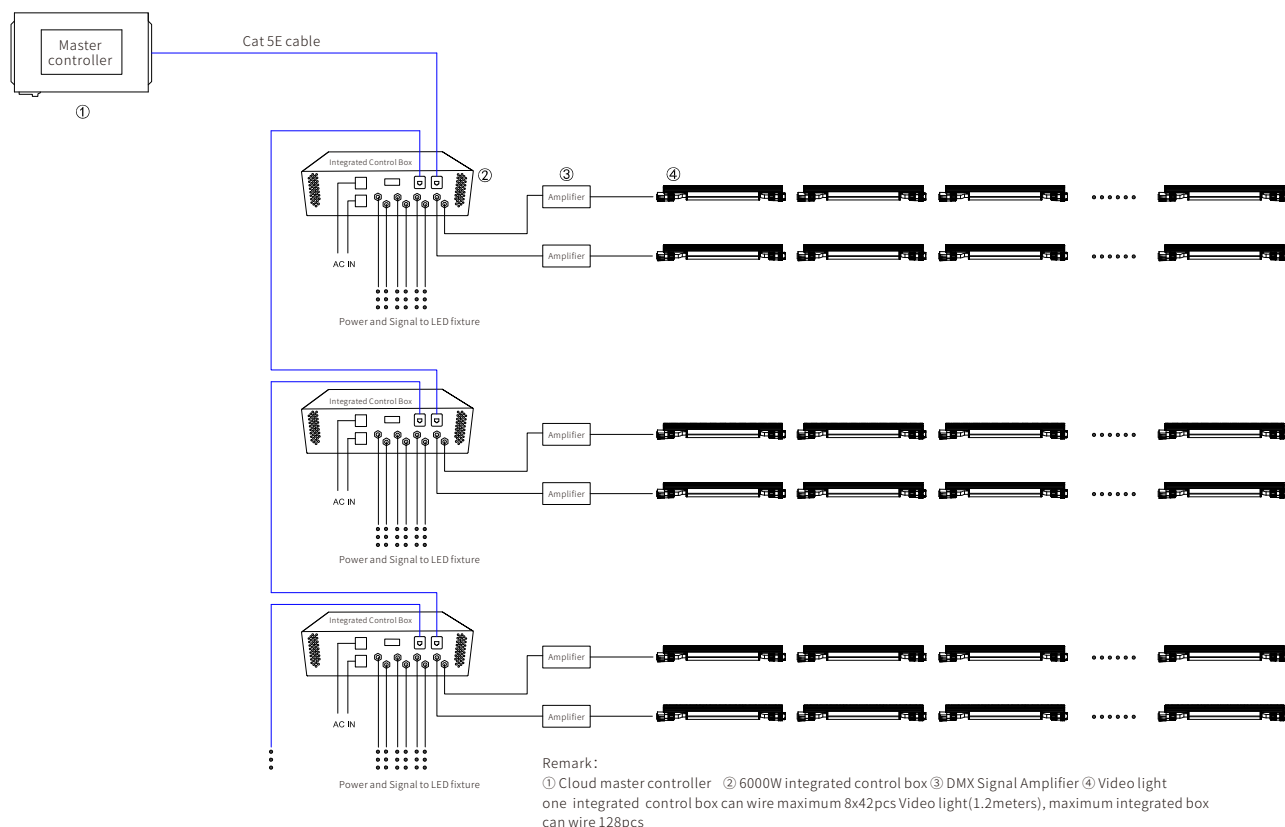
Dimensions



Product Model Numbers

VL.4410141111	Video Light	L2688	18W	RGB	DMX512	DC	60PXL	ETL Gray
VL.5510151111	Video Light	L2688	15W	RGB	DMX512	DC	48PXL	ETL Gray
VL.3310131111	Video Light	L2688	12W	RGB	DMX512	DC	36PXL	ETL Gray
VL.2210121111	Video Light	L2688	9W	RGB	DMX512	DC	24PXL	ETL Gray
VL.1110111111	Video Light	L2688	5W	RGB	DMX512	DC	12PXL	ETL Gray
VL.5505151111	Video Light	L2688	18W	RGBW40(Q)	DMX512	DC	60PXL	ETL Gray
VL.4405141111	Video Light	L2688	15W	RGBW40(Q)	DMX512	DC	48PXL	ETL Gray
VL.3305131111	Video Light	L2688	12W	RGBW40(Q)	DMX512	DC	36PXL	ETL Gray
VL.2205121111	Video Light	L2688	9W	RGBW40(Q)	DMX512	DC	24PXL	ETL Gray
VL.1105111111	Video Light	L2688	5W	RGBW40(Q)	DMX512	DC	12PXL	ETL Gray

Network Topology



Cloud Master Controller



Technical Data

Input Voltage: 110~240Vac 50/60Hz
 Rating Power: ≤24W RAM: 16G SSD
 Output port: RJ45 IP rating: IP20
 Platform: Linux, Android
 Port: AC connector, RJ45 connector, USB, HDMI
 Dimension: L286mm × W 163mm × H 46mm

Connection:

2-channel gigabit output RJ45 interface: LAN1 port is used for real-time communication of the lower control system, and LAN2 port is used for network signal access
 1-channel USB 2.0, configurable for local video, online upgrade, external device access, linkage registration, etc
 1-channel USB 3.0, high-speed communication USB 3.0 interface, supports various external parameter configurations, etc
 1 HDMI channel, supports HDMI interface video device docking, resolution 1920X1080 pixels

Key features

- 1). Embedded deep customization management software Mr Color, supporting Linux and Android Dual system operation;
- 2). Adopting intelligent video decoding technology that combines software and hardware, media video playback is smoother;
- 3). Support device configuration and automatic backup of files to local independent storage space, in case of device abnormalities Can be quickly restored;
- 4). Support real-time backup function of core controller, directly replace internal storage, and prevent device failure No configuration required;
- 5). Support standby energy-saving mode, intelligently reduce screen brightness and device power consumption;
- 6). Based on the standard UDP network protocol, strict encryption algorithms are used for communication to ensure system integrity Unified network security;
- 7). Adopting a special security mode, each processed video source file comes with a digital signature Name authentication effectively avoids the risk of video data tampering;
- 8). Deep optimization of synchronization mechanism, network mode, local timing mode, in network communication In case of poor communication, the synchronization effect can still be guaranteed;
- 9). Support network disconnection synchronization technology, facilitating unmanned management in the later stage and ensuring major events Sudden emergency situations;
- 10). Support online, offline, and remote management on the Ruikong cloud platform;
- 11). Support local and remote one click writing of DMX addresses, screen testing Port testing, clearing and fixing IDs, etc;
- 12). Support automatic brightness adjustment for each channel: 0-100 levels;
- 13). Support reading and writing parameters of the DMX512 sub control system at the lower end;
- 14). Offline file playback with loading channels ≥ 900000 channels, equipped with RGB, RGBW Custom channel mixing control;
- 15). Video files with over 380000 channels, including monochrome and dual color options RGB、RGBW、 Custom channel mixing control;
- 16). Supports HDMI output, with a maximum resolution of 1920X1080;
- 17). Dual gigabit network card configuration, supporting forced 100Mbps and 1G transmission;
- 18). 4GB of RAM and 16GB of SSD solid-state storage;
- 19). Support real-time viewing of current remaining storage space and real-time memory usage status;
- 20). Working mode: manual mode/automatic mode/debugging mode;
- 21). Built in high-precision clock module, supports local scheduled task control and management, customizable days Trigger time for weekly, monthly, quarterly, and yearly logic;
- 22). Support multiple configuration modes, online TCP configuration, USB configuration, remote configuration of Ruikong Cloud, etc
- 23). Adopting TFT 7-inch 1024X600 full-color LCD touch display screen (capacitive), Intuitively display various parameters, IP addresses, and system status detection;
- 24). Capable of managing light show performances, editing the timeline of light performances through the Ruikong Cloud platform, Accurate to 0.1 seconds, supports one click control;
- 25). Support call auto start operation function, remote restart, scheduled shutdown, etc;
- 26). Support local USB upgrade and remote one click online firmware upgrade;
- 27). Support remote scene update, transmission, download, and playback;
- 28). Support AVI, MP4, and custom encrypted video file playback;
- 29). Support remote control and data fault feedback and monitoring functions;
- 30). Supports 365 day uninterrupted operation without the need for a restart or reset;

Control System Detail



6000W Integrated control box (L0518)

Technical Data

Input voltage: 85Vac~295Vac
 Power consumption: 6000W
 Output voltage: 42VDC~58VDC (default: rating 48VDC)
 Input protocol: Mr Net and ArtNet Dual protocol adaptive working mode
 Output protocol: Standard DMX512 and expansion DMX512 protocol (x8)
 Connection: two RJ45 port
 Rectifier module: $\leq 16A \times 2$
 Air Switch: 2*25A
 IP rating: IP43
 Dimension: L406mm*W281mm*H135mm

- The L0518 integrated control box supports standard USITT DMX512/1990 protocol and extended DMX512 protocol;
The L0518 integrated control box supports dual protocol adaptive working modes of Mr Net and ArtNet;
- The L0518 integrated control box is equipped with two fully digital rectifier modules;
The parameters are as follows:
High power efficiency greater than 94%, significant energy savings;
 - ⊙ Input current range $\leq 16A \times 2$ blocks;
 - ⊙ Input voltage range to 85Vac~295Vac
 - ⊙ Output voltage 42V DC~58V DC can be configured through software (Default: Rated at 48V DC);
 The power supply and control module support online hot plugging function;
 Built in CAN bus communication enables full digital rectification module regulation and monitoring;
 - ⊙ Support output voltage and current adjustment functions;
 - ⊙ Low total harmonic distortion (THD)
 Unique heat dissipation duct design, intelligent temperature control and speed regulation;
 The total output power of the equipment can reach about 6000W;
4. Unique heat dissipation duct design, intelligent temperature control and speed regulation;
5. Built in 2 25A air switches to prevent leakage and short circuit risks;
6. Supports maximum clock frequency output of 10.00MHz;
7. 8 port signal output, with a large load capacity, supporting 6144 channel outputs per port;
8. 8 port power/signal integrated output, single port output power can reach 750W;
9. Independent brightness control of the three primary colors makes precise adjustment of white balance simpler and more effective;
10. Supports RGB, RGBW, and multi-color blending control;
11. 32-65536 grayscale 16 bit conventional control, depth optimization can reach 262144 grayscale,
Can realistically restore image colors and details;

- The precise and adjustable Gamma correction algorithm is more in line with the human visual sensitivity characteristics, displaying colors more fully and richly, making the designer's animation or video effects perfectly reflected;
- Support enabling and disabling the function of writing DMX addresses and parameters;
- Supports a maximum frame rate of 120 to ensure high-definition display and 3D display requirements;
- Using Ethernet interface and UDP network protocol for stable transmission, with a maximum transmission distance of 100 meters;
The LCD display module promptly displays controller parameters and status;
- Support sequential and fixed arrangement of device ID data flow;
- Dual RJ45 network interface, which can achieve mixed cascading between controllers; The controller automatically detects and the software intuitively displays the connection status;
- Support IP grouping function, use switch parallel scheme to reduce system cascade chain length and improve system stability;
- Support dual backup, the display will not be affected if one controller is damaged or the network cable is disconnected;
- The output port signal adopts a fully isolated scheme, with an isolation voltage of $\geq 1200V$;
- The device port is equipped with overcurrent and overvoltage protection, allowing the device to operate safely, reliably, and for a long time;
- Equipment network ports and port outputs, surge protection: common mode $\pm 1.2KV$, differential mode $\pm 1.2KV$;
- Support normal operation without faults in harsh working environments ranging from $-40^{\circ}C$ to $80^{\circ}C$;
- Fully digital control management, supporting RDM (Remote Device Management) function fault feedback;
- Adaptive or forced 100Mbps can be set to ensure greater stability for projects with large points;
- Support one click online firmware upgrade for devices.
- Fully rainproof and mosquito proof design.



DMX Signal Amplifier

Technical Data

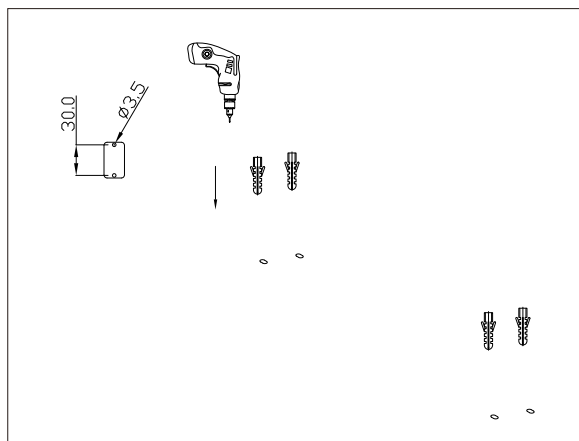
Input Voltage: DC 48V
 Power consumption: 2W
 Output Protocol : Standard DMX512, expansion DMX512
 Connections: male and female connector
 IP Rating: IP65
 Dimension: L98mm*W50mm*H27mm

Key Features

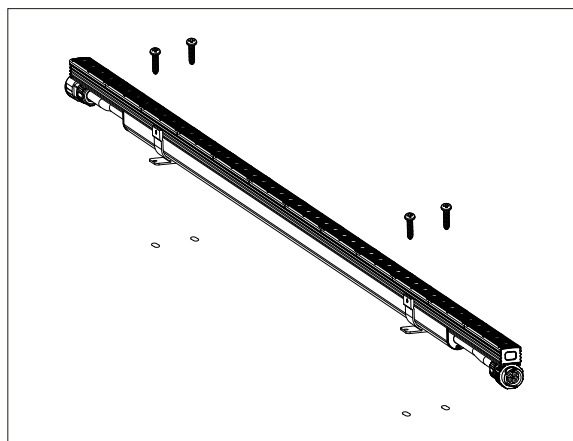
- Magnetic coupling Isolated
- Standard USITT DMX512/1990 Protocol, and expansion DMX512 protocol;
- Boost DMX signal, after long distance transmitting the signal, the signal will be weak and Amplifier can help to isolate the interface and boost the transmitting signal
- The ports have over-current protection
- Surge Protection: 1.5KV
- Ambient temperature $-40^{\circ}C$ - $80^{\circ}C$

Installation

◎ Surface mounting

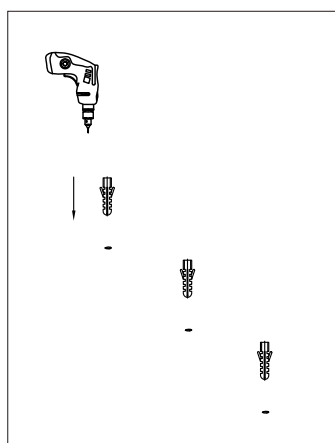


1. Place the brackets on the mounting surface, mark the 4x screws position, drill holes for 4xM3 bolt.

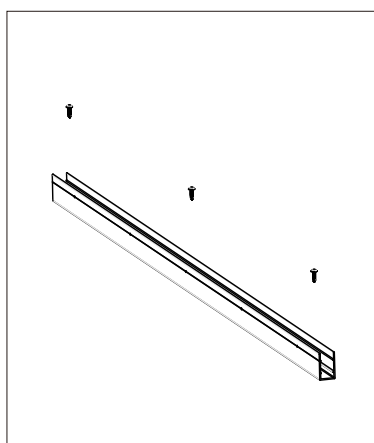


2. Put the light fixture with bracket to the bolts', secure the brackets with screws.

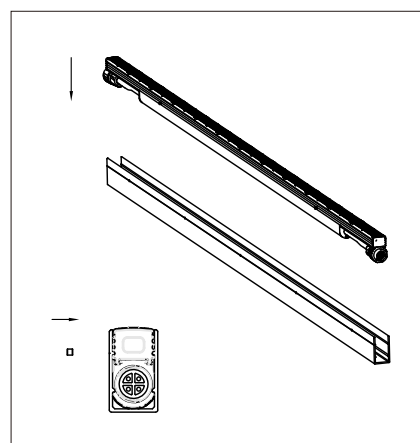
◎ U-Shape profile



1. Place the U-shape profile on the surface, marks 3 pre-hole position,, drill 3 holes for M4bolts.



2. Secure the U-Shape profile to the bolts.



3. Sit down the Video Light to U-Shape profile, using 1.5mm Allen key to secure the hex screws through the U-shape sheet to fixture body.

◎ Fix bracket



◎ U-Shape profile

