

## Full-Spectrum LED Wall Washer

- ultra-narrow structure design;
- wide voltage range of 120-277VAC, global universal;
- the application of the latest color control technology of RGBW four-primary-color;
- up to 80 CRI;
- wide color gamut, full spectrum, exquisite colors;
- color temperature freely selected from 1800K to 10000K;
- 9W/1ft, 36W/4ft power design;
- with multiple LED color combination options of RGBW, DW, W;
- suitable for different lighting applications;

## Photometric Datas

Dynamic Color	Lumen Output(lm)	Efficacy(lm/W)	CRI	Peak Intensity(cd)
RGBW(Q)(4,000K)	1ft 467	49	80CRI	2405
	4ft 1947	52		10031
RGBW(D)(4,000K)	1ft 482	52	80CRI	6584
	4ft 2034	55		27784
RGBA	1ft 473	49	50CRI	5564
	4ft 1893	53		22270

Lumen output values are based on 10° optics.

Tunable White	Lumen Output(lm)	Efficacy(lm/W)	CRI	Peak Intensity(cd)
2,200 K – 6,500 K	1ft 558	62	80CRI	7142
	4ft 2481	66		31761

Lumen output values are based on 16° optics.

Static White	Lumen Output(lm)	Efficacy(lm/W)	CRI	Peak Intensity(cd)
2,700 K	1ft 668	68	80CRI	8554
	4ft 3023	81		34951
3,000 K	1ft 672	70	80CRI	8605
	4ft 3052	82		35281
3,500 K	1ft 692	72	80CRI	8857
	4ft 3069	83		35488
4,000 K	1ft 719	75	80CRI	9205
	4ft 3146	84		36375
5,000 K	1ft 758	78	80CRI	9705
	4ft 3175	85		36713

Lumen output values are based on 10° optics.



Beam Angles	10°/15°/25°/35°/50°/ 60°/80°/10° x 35°/10° x 60°/15° x 55°/20° x 70°/35° x 65°
Optional Optical Accessories	Asymmetric Louver

## Optics:



(PS:IES files can be downloaded from the web.)

10°

## Product Features:

- ◎ Beautiful mixed colors, both color light and white light available;
- ◎ Precise and smooth adjustment of color temperature from 1800K to 10000K;
- ◎ 16-bit 0-100% non-linear dimming curve, DMX/RDM control;
- ◎ Pure mixed colors, real-time color correction system, exquisite colors;
- ◎ LED lifetime ≥ 50,000 hours
- ◎ Suitable for architectural, bridge, and landscape lighting;
- ◎ Constant power during color changes, smoother and more natural color transitions, optimized mixed color dimming performance;
- ◎ Single, dual, and triple colors can all reach the rated power;
- ◎ Automatically adjusts power based on the running color to ensure the highest output luminous flux of the fixture;
- ◎ Four sections can be controlled separately; each section can reach the rated power and independently control color changes;
- ◎ Color temperature channel available, precise adjustment of color temperature from 1800K to 10000K;
- ◎ 12KHZ-16BIT dimming, no flickering when shooting videos;
- ◎ Provides multiple modes such as white balance, equal current, dynamic boost, suitable for various applications.



a close-up view of 0.3m fixture



a close-up view of 1.2m fixture



an overall view of 1.2m fixture



Asymmetric Louver

## Electrical

Input Voltage	International 220 to 240 Vac, 50 Hz    North America 120 to 277 Vac, 60 Hz
Power Consumption	36W/1.2M, 9W/0.3M
Circuit	Built-in driver and switching power supply
Software	Power boost, any color can achieve the power of the entire luminaire, and power boost adjustment can be made for any single pixel and the entire luminaire. And white balance can be achieved for the product. It features a CCT color temperature channel mode, available to achieve 1800K-10000K color temperature change.
Dimming	Non-linear GAMA curve, 0-100% stepless dimming
Thermal Management	built-in temperature detection system, to ensure the fixture run with body under the normal temperature setting
Optional electronic accessories	Waterproof End-cap, Data Injector Box

## Control

Protocols	DMX/RDM
PWM Frequency	12KHz
RDM Functionality	with both DMX & RDM functions, available to adjust technical parameters such as fixture power and white balance in real time
Systems	compatible with DMX512/RDM third-party control systems

## Physical

Housing	High-strength AL6063 extruded aluminum
Finish	Salt spray resistant polyester powder coating, with optional colors of Gray, Black, White
Installation	Surface mounting, Wall mounting, Telescopic Arm mounting
Adjustable	±90°
Ambient Operating Temperature	-40°C to 50°C
Storage Temperature	-25°C to 70°C

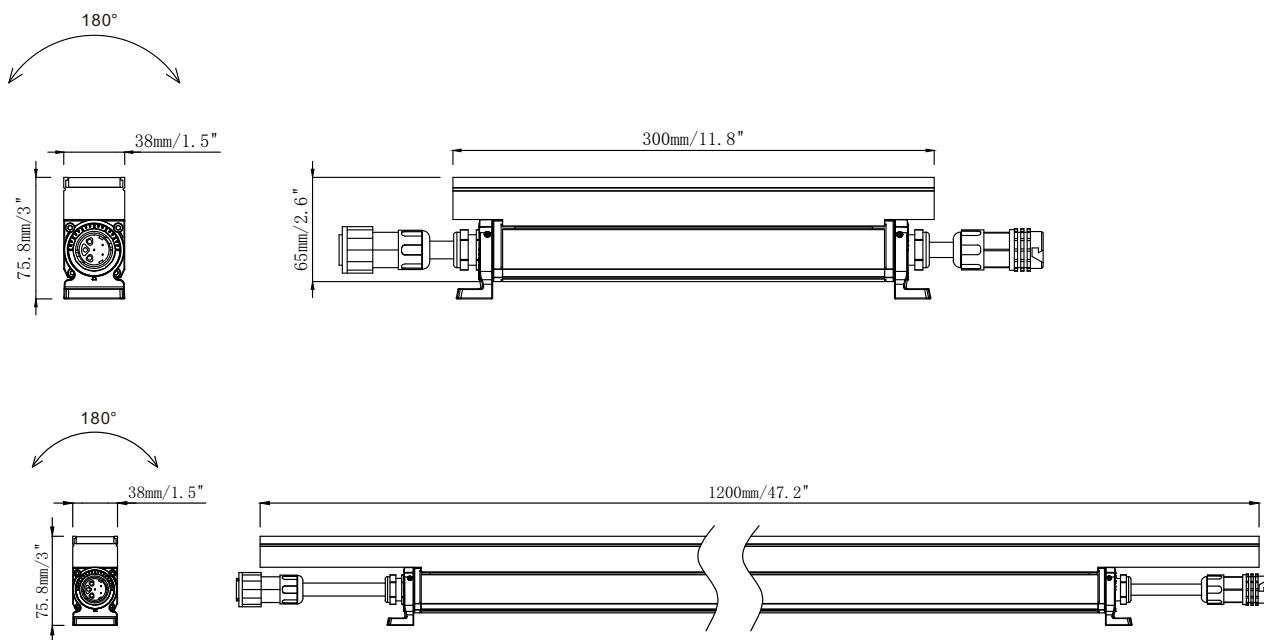
## Certification & Compliance

IP Rating	IP66
IK Rating	IK08
Vibration Resistance	3G Rating (ANSI C136.31)
Environment	Outdoor
Certifications	ETL, CE, FCC, ROHS, REACH

## Warranty

5 years

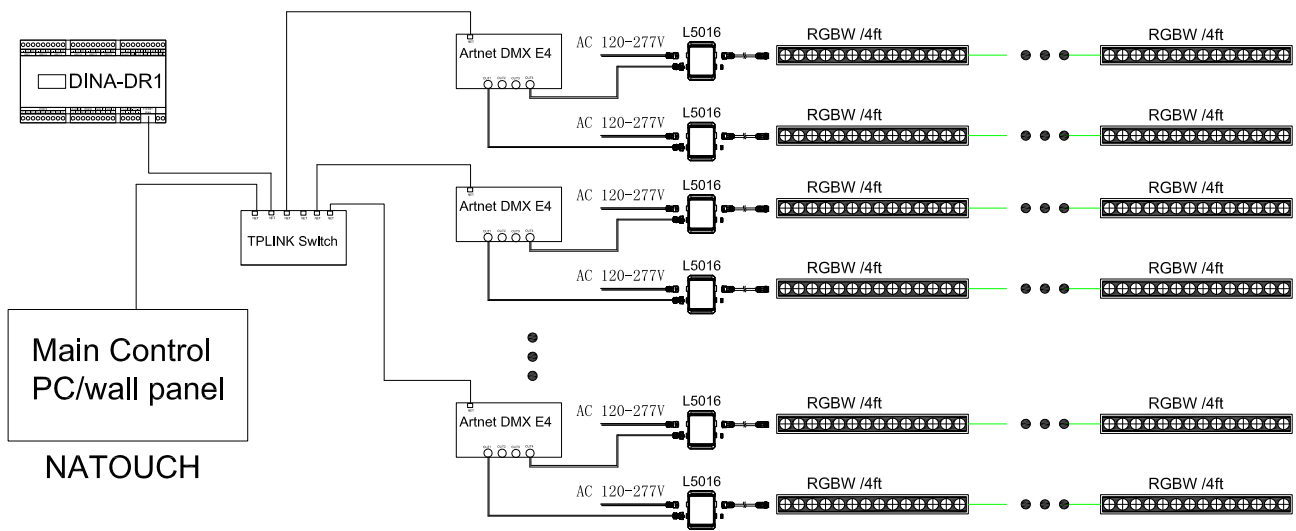
## Dimensions



## Product Model Numbers

RL.1425211141111	Rhyme	Linear	L2712	4FT	36W	W27	10°	RDM	4PXL	AC	ETL Gray
RL.1425311141111	Rhyme	Linear	L2712	4FT	36W	W30	10°	RDM	4PXL	AC	ETL Gray
RL.1425411141111	Rhyme	Linear	L2712	4FT	36W	W35	10°	RDM	4PXL	AC	ETL Gray
RL.1425511141111	Rhyme	Linear	L2712	4FT	36W	W40	10°	RDM	4PXL	AC	ETL Gray
RL.1425711141111	Rhyme	Linear	L2712	4FT	36W	W50	10°	RDM	4PXL	AC	ETL Gray
RL.1426A11141111	Rhyme	Linear	L2712	4FT	36W	Dw2257	10°	RDM	4PXL	AC	ETL Gray
RL.1426B11141111	Rhyme	Linear	L2712	4FT	36W	Dw2757	10°	RDM	4PXL	AC	ETL Gray
RL.1426C11141111	Rhyme	Linear	L2712	4FT	36W	Dw2265	10°	RDM	4PXL	AC	ETL Gray
RL.1426D11141111	Rhyme	Linear	L2712	4FT	36W	Dw2765	10°	RDM	4PXL	AC	ETL Gray
RL.1421311141111	Rhyme	Linear	L2712	4FT	36W	RGBW30	10°	RDM	4PXL	AC	ETL Gray
RL.1421511141111	Rhyme	Linear	L2712	4FT	36W	RGBW40	10°	RDM	4PXL	AC	ETL Gray
RL.1420322141111	Rhyme	Linear	L2712	4FT	36W	RGBW30(Q)	12°	RDM	4PXL	AC	ETL Gray
RL.1420522141111	Rhyme	Linear	L2712	1FT	36W	RGBW40(Q)	12°	RDM	4PXL	AC	ETL Gray
RL.1125211111111	Rhyme	Linear	L2712	1FT	9W	W27	10°	RDM	1PXL	AC	ETL Gray
RL.1125311111111	Rhyme	Linear	L2712	1FT	9W	W30	10°	RDM	1PXL	AC	ETL Gray
RL.1125411111111	Rhyme	Linear	L2712	1FT	9W	W35	10°	RDM	1PXL	AC	ETL Gray
RL.1125511111111	Rhyme	Linear	L2712	1FT	9W	W40	10°	RDM	1PXL	AC	ETL Gray
RL.1125711111111	Rhyme	Linear	L2712	1FT	9W	W50	10°	RDM	1PXL	AC	ETL Gray
RL.1126A11111111	Rhyme	Linear	L2712	1FT	9W	Dw2257	10°	RDM	1PXL	AC	ETL Gray
RL.1126B11111111	Rhyme	Linear	L2712	1FT	9W	Dw2757	10°	RDM	1PXL	AC	ETL Gray
RL.1126C11111111	Rhyme	Linear	L2712	1FT	9W	Dw2265	10°	RDM	1PXL	AC	ETL Gray
RL.1126D11111111	Rhyme	Linear	L2712	1FT	9W	Dw2765	10°	RDM	1PXL	AC	ETL Gray
RL.1121311111111	Rhyme	Linear	L2712	1FT	9W	RGBW30	10°	RDM	1PXL	AC	ETL Gray
RL.1121511111111	Rhyme	Linear	L2712	1FT	9W	RGBW40	10°	RDM	1PXL	AC	ETL Gray
RL.1120322111111	Rhyme	Linear	L2712	1FT	9W	RGBW30(Q)	12°	RDM	1PXL	AC	ETL Gray
RL.1120522111111	Rhyme	Linear	L2712	1FT	9W	RGBW40(Q)	12°	RDM	1PXL	AC	ETL Gray

## Network Topology



One Artnet DMX E4 sub-controller can be connected with 4\*20pcs RGBW/4ft luminaires, and up to 99pcs Artnet DMX E4 sub-controllers can be connected in series.

One L5016 control box can be connected with 20pcs RGBW/4ft luminaires in a daisy chain, and the maximum line length does not exceed 100 meters.

An 8-channel switch can be connected with 6pcs Artnet DMX E4 sub-controllers, and a 16-channel switch can be connected with 14pcs Artnet DMX E4 sub-controllers.

## DINA-DR1 Controller

### DINA rail mounted - Advanced lighting controller



#### DINA-DR1

The DINA-DR1 is a lighting controller for the most ambitious of projects, outputting 6 DMX512 universes (3072 channels) in 20 zones, eDMX and DALI simultaneously. Trigger lighting scenes using calendar triggers and conditional rules. Connect to the Nicolaudio Cloud for remote control and management. Lighting levels, color and effects can be programmed from a PC or Mac. Remote control from iPhone/iPad, Android, Win & Mac.

#### Key Features

- DMX512 / eDMX / LED Pixel Stand Alone controller
- DR1 6x Universes (3072 channels)
- DR1 LITE 2x Universes (1024 channels)
- Output Universes via DMX512 (up to 6 universes) & Artnet/sACN (up to 12 universes with SUT universe upgrade)
- 2x DALI buses (single-master) \*
- SUT Technology allows the device to be upgraded with more universes & used with other Nicolaudio Group software
- USB & Ethernet connectivity
- Stand Alone mode with 2000 scenes & 20 zones
- 16MB flash memory & microSD slot
- 8 dry contact trigger ports
- RDM compatible
- Windows/Mac software for programming
- iPhone/iPad/Android/Mac & Windows apps for remote control
- Compatible with NATouch-1 wall controller
- Control 2 external relays
- Nicolaudio Cloud \*: Remote control and management via internet connection (subscription required)
- Audio triggering / sound-to-light \*
- RS232 protocol scene control \*

#### Future features

- Direct support for LED Pixel Tape \*

\* Optional features with DR1 LITE model

Optional: 12V AC/DC power supply

#### Technical Data

Input Power : 12v DC (8-15V range)  
 Output Protocol: DMX512(x6), DALI-2, eDMX, LED Pixel (SPIx2)  
 Programmability: PC, Mac, Android, iOS  
 Connections:  
 USB-C  
 Ethernet  
 Scew terminals:  
 - 6 DMX / RDM Universes  
 - LED Pixel (coming)  
 - 2 DALI loops  
 - 8 Contact ports  
 - Relay  
 - 12v power-in & pass through  
 - RS232 scene trigger  
 - Audio in  
 Battery holder (LIR2032 3.6v), microSD slot  
 TCP Connections: 10 + 1 cloud  
 Memory: 16MB flash, SD Card (max 32Gb, FAT32)  
 Environment: IP20  
 Buttons: 2 scene, 2 page, 1 reset  
 Dim / Weight: 160 x 91 x 62 mm; 317g  
 OS Requirements: Mac OSX 10.13+, Win 10/11  
 Standards: ETL, Low voltage, EMC, and RoHS

## Data Injector Box



The L5016.0 is a control box that integrates power supply and signal amplification. It is equipped with one port of power output + DMX512/RDM signal output and one port of daisy chain signal output. It features automatic address allocation and long transmission distance.

- Max. Daisy Chain : 32pcs
- Max. Signal Connection Length : 100 meters
- Max. Output Current : 10A
- Control Protocol : RDM/DMX512
- Input Voltage : AC120-277V
- Power Consumption : 2W

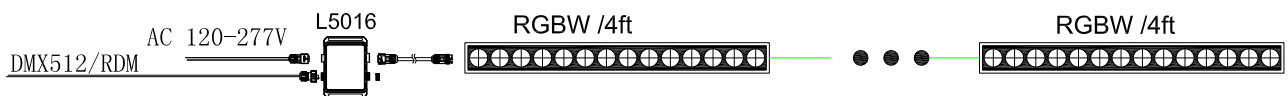
### Key Features

- \* available to distribute DMX address;
- \* available to expand the power, each additional box available to increase the current to the load by 10A
- \* signal with isolation, protecting the fixtures in each run, to prevent all signal lines from being burned out at once due to incorrect wiring;
- \* with the function of signal transfer and amplification;
- \* the box signal available to be deeply cascaded for more than 32 levels without distortion;
- \* the maximum signal connection length of each box available to reach 100 meters.

### Technical Data

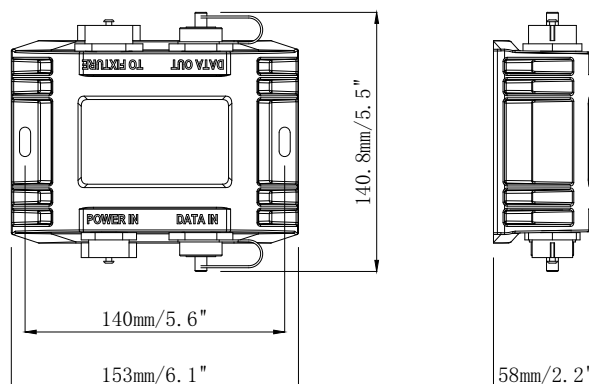
- \* Max. Output Current : 10A
- \* Control Protocol : RDM/DMX512
- \* Input Voltage : AC120-277V
- \* Power Consumption : 2W
- \* Baud Rate : 500K
- \* Isolation Voltage : 3000V
- \* Signal Type : Isolation RS485
- \* Certifications : UL, CE,
- \* Housing : Die-cast Aluminium
- \* IP Rating : IP68
- \* Wiring Method : 2-in & 2-out
- \* Dimensions : 153\*140\*58mm

### The load capacity

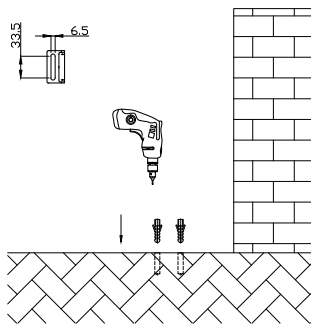


One L5016 control box can be connected with 20pcs RGBW/4ft luminaires in a daisy chain, and the maximum line length does not exceed 100 meters.

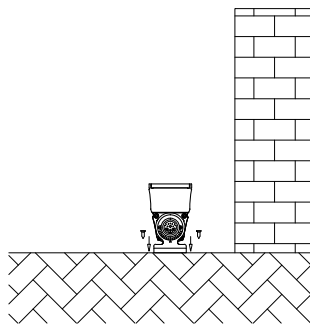
### Dimensional Drawing



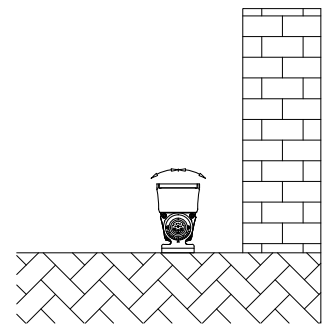
## Surface Mounting



1. After placing the fixture's brackets on the mounting surface, mark the positions of the 4 mounting holes and drill four M5 expansion screw holes with an electric drill.

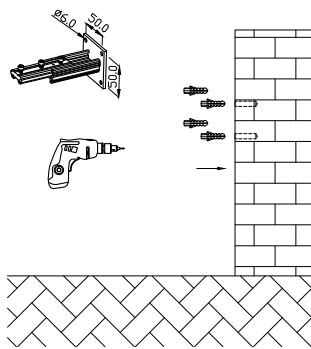


2. After aligning the slotted holes of the fixture's brackets with the expansion screws on the mounting surface, lock the brackets.

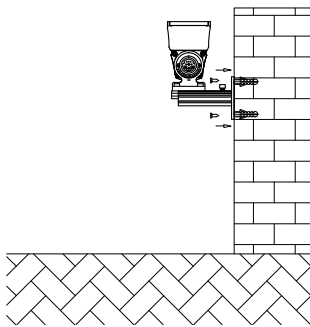


3. After adjusting the fixture's orientation, secure the fastening screws of the brackets with a 2mm Allen key.

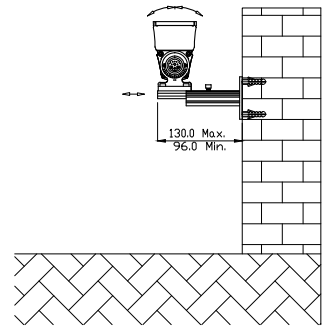
## Wall Mounting



1. After placing the telescopic arm on the mounting wall, mark the positions of the 8 mounting holes and drill eight M5 expansion screw holes with an electric drill.



2. After aligning the slotted holes of the fixture's brackets with the expansion screws on the mounting surface, lock the brackets.

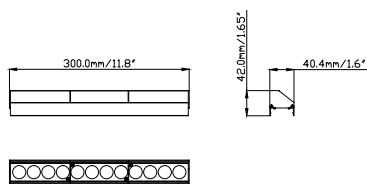


3. After adjusting the telescopic length properly, tighten the screws of the telescopic arm with a 4mm Allen key. Adjust the fixture's orientation, and then secure the fastening screws of the brackets with a 2mm Allen key.

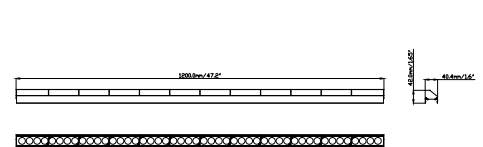
## Accessories



Asymmetric Louver



Asymmetric Louver



Telescopic Arm for wall mounting

