

## Product features

Features: online power adjustable, flexible installation

Color changing: Application of the latest color control technology with four primary colors of RGBW, exquisite color.

Dynamic white light: color temperature 2200K-6500K can be selected arbitrarily, CRI 90

Static white light: CRI 90

Power:3W/5W/10W per 1ft design, products can be made in RGBW four primary colors, DW dual white color temperature, multiple combinations of single white light etc.

For interior lighting.

## Photometric Datas (Clear Cover)

Dynamic Color	Dimensions(ft)	Power (W)	Lumen Output(lm)	Efficacy(lm/W)	CRI	SDCM
RGBW(4,000K)	1ft	3W	88	28	80CRI	3step
		5W	258	45		
		10W	555	56		
	4ft	12W	385	33		
		20W	1035	52		
		40W	2592	65		
RGBA	1ft	3W	77	25	80CRI	3step
		5W	196	39		
		10W	486	49		
	4ft	12W	338	29		
		20W	908	46		
		40W	2273	57		

Dynamic White	Dimensions(ft)	Power (W)	Lumen Output(lm)	Efficacy(lm/W)	CRI	SDCM
2200K-6500K	1ft	3W	269	86	90CRI	3step
		5W	438	88		
		10W	899	91		
	4ft	12W	1174	99		
		20W	2050	103		
		40W	4267	107		

Static White	Dimensions(ft)	Power (W)	Lumen Output(lm)	Efficacy(lm/W)	CRI	SDCM
2700K	1ft	3W	162	44	90CRI	3step
		5W	347	70		
		10W	862	87		
	4ft	12W	599	51		
		20W	1609	81		
		40W	4028	101		
3000K	1ft	3W	140	45	90CRI	3step
		5W	358	72		
		10W	888	90		
	4ft	12W	617	52		
		20W	1657	83		
		40W	4148	104		
3500K	1ft	3W	143	46	90CRI	3step
		5W	364	73		
		10W	905	91		
	4ft	12W	629	53		
		20W	1688	85		
		40W	4227	106		
4000K	1ft	3W	160	51	90CRI	3step
		5W	390	78		
		10W	922	93		
	4ft	12W	704	59		
		20W	1815	91		
		40W	4037	108		
5000K	1ft	3W	163	52	90CRI	3step
		5W	397	80		
		10W	939	95		
	4ft	12W	718	61		
		20W	1848	93		
		40W	4387	110		

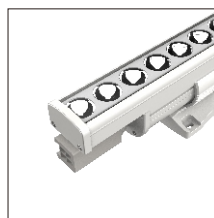
Beam Angles 10°\12°\15°\20°\30°\50°\60°\80°\90°\35\*10°\35x15°\60\*10°\60x15°\60\*20°\60\*30°\60x35°\45x20°

Optional optical accessories Asymmetric Louver

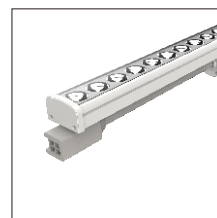


## Product features

Features: online power adjustable, flexible installation  
 Color changing: Application of the latest color control technology with four primary colors of RGBW, exquisite color.  
 Dynamic white light: color temperature 2200K-6500K can be selected arbitrarily, CRI 90  
 Static white light: CRI 90  
 Power:3W/5W/10W per 1ft design, products can be made in RGBW four primary colors, DW dual white color temperature, multiple combinations of single white light etc.  
 For interior lighting.



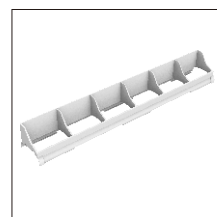
a close-up view of 0.3m fixture



a close-up view of 1.2m fixture



Front view of 1.2m



Asymmetric Louver

## Electrical

Input Voltage	International 220 to 240 Vac, 50 Hz North America 120/277 Vac, 60 Hz
Power Consumption	12W/20W/40W/4FT, 3W/5W/10W/1FT
LED	Single color: SMD1616, RGBW:SMD1616/3535
Circuit	Built-in driver and switching power supply
Software	Power regulation can be performed on the entire lamp, and white balance can be achieved .
Dimming	Non-linear GAMA curve, 0-100% stepless dimming
Maximum connection	Power max. connection is 50m , signal max. connection is 120m.
Thermal Management	built-in temperature detection system, to ensure the fixture run with body under the normal temperature setting

## Control

Protocols	0-10V/DMX/RDM
PWM Frequency	12KHz
RDM Functionality	with both DMX & RDM functions, available to adjust technical parameters such as fixture power and white balance in real time
Systems	compatible with DMX512/RDM third-party control systems

## Physical

Housing	High-strength AL6063 extruded aluminum,PC Cover
Finish	Salt spray resistant polyeste powder coating,with optional colors of Gray,Black,White
Installation	Surface mounting,Top mounting , Track mounting
Adjustable	±90°
Ambient Operating Temperature	-20°C to 50°C
Storage Temperature	-25°C to 70°C

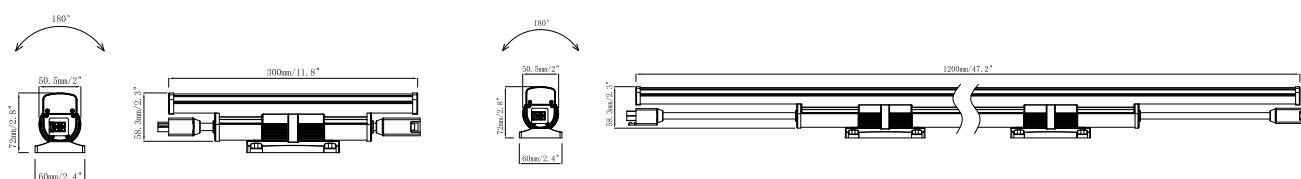
## Certification & Compliance

IP Rating	IP44
Vibration Resistance	3G Rating (ANSI C136.31)
Environment	Indoor
Certifications	ETL, CE, FCC,ROHS,REACH

## Warranty

5 years

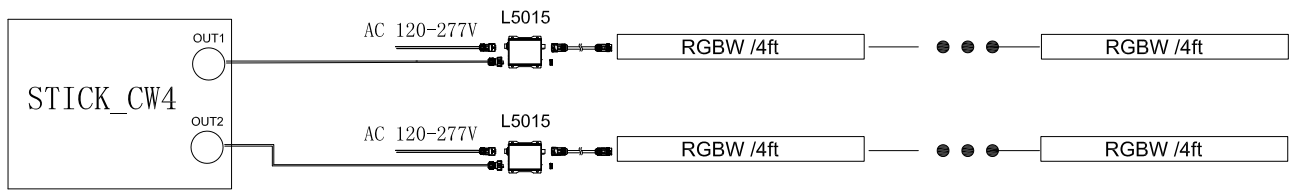
## Dimensions



## Product Model Numbers

SC.486113030111	Seclusion Cove	L6860	4FT	40W	W22	10°	0-10V	AC	ETL White
SC.486213030111	Seclusion Cove	L6860	4FT	40W	W27	10°	0-10V	AC	ETL White
SC.486313030111	Seclusion Cove	L6860	4FT	40W	W30	10°	0-10V	AC	ETL White
SC.486413030111	Seclusion Cove	L6860	4FT	40W	W35	10°	0-10V	AC	ETL White
SC.486513030111	Seclusion Cove	L6860	4FT	40W	W40	10°	0-10V	AC	ETL White
SC.486713030111	Seclusion Cove	L6860	4FT	40W	W50	10°	0-10V	AC	ETL White
SC.486813030111	Seclusion Cove	L6860	4FT	40W	W57	10°	0-10V	AC	ETL White
SC.186113030111	Seclusion Cove	L6860	1FT	10W	W22	10°	0-10V	AC	ETL White
SC.186213030111	Seclusion Cove	L6860	1FT	10W	W27	10°	0-10V	AC	ETL White
SC.186313030111	Seclusion Cove	L6860	1FT	10W	W30	10°	0-10V	AC	ETL White
SC.186413030111	Seclusion Cove	L6860	1FT	10W	W35	10°	0-10V	AC	ETL White
SC.186513030111	Seclusion Cove	L6860	1FT	10W	W40	10°	0-10V	AC	ETL White
SC.186713030111	Seclusion Cove	L6860	1FT	10W	W50	10°	0-10V	AC	ETL White
SC.186813030111	Seclusion Cove	L6860	1FT	10W	W57	10°	0-10V	AC	ETL White
SC.486113014111	Seclusion Cove	L6860	4FT	40W	W22	10°	DMX 4PXL	AC	ETL White
SC.486213014111	Seclusion Cove	L6860	4FT	40W	W27	10°	DMX 4PXL	AC	ETL White
SC.486313014111	Seclusion Cove	L6860	4FT	40W	W30	10°	DMX 4PXL	AC	ETL White
SC.486413014111	Seclusion Cove	L6860	4FT	40W	W35	10°	DMX 4PXL	AC	ETL White
SC.486513014111	Seclusion Cove	L6860	4FT	40W	W40	10°	DMX 4PXL	AC	ETL White
SC.486713014111	Seclusion Cove	L6860	4FT	40W	W50	10°	DMX 4PXL	AC	ETL White
SC.486813014111	Seclusion Cove	L6860	4FT	40W	W57	10°	DMX 4PXL	AC	ETL White
SC.186113011111	Seclusion Cove	L6860	1FT	10W	W22	10°	DMX 1PXL	AC	ETL White
SC.186213011111	Seclusion Cove	L6860	1FT	10W	W27	10°	DMX 1PXL	AC	ETL White
SC.186313011111	Seclusion Cove	L6860	1FT	10W	W30	10°	DMX 1PXL	AC	ETL White
SC.186413011111	Seclusion Cove	L6860	1FT	10W	W35	10°	DMX 1PXL	AC	ETL White
SC.186513011111	Seclusion Cove	L6860	1FT	10W	W40	10°	DMX 1PXL	AC	ETL White
SC.186713011111	Seclusion Cove	L6860	1FT	10W	W50	10°	DMX 1PXL	AC	ETL White
SC.186813011111	Seclusion Cove	L6860	1FT	10W	W57	10°	DMX 1PXL	AC	ETL White
SC.486113024111	Seclusion Cove	L6860	4FT	40W	W22	10°	RDM 4PXL	AC	ETL White
SC.486213024111	Seclusion Cove	L6860	4FT	40W	W27	10°	RDM 4PXL	AC	ETL White
SC.486313024111	Seclusion Cove	L6860	4FT	40W	W30	10°	RDM 4PXL	AC	ETL White
SC.486413024111	Seclusion Cove	L6860	4FT	40W	W35	10°	RDM 4PXL	AC	ETL White
SC.486513024111	Seclusion Cove	L6860	4FT	40W	W40	10°	RDM 4PXL	AC	ETL White
SC.486713024111	Seclusion Cove	L6860	4FT	40W	W50	10°	RDM 4PXL	AC	ETL White
SC.486813024111	Seclusion Cove	L6860	4FT	40W	W57	10°	RDM 4PXL	AC	ETL White
SC.186113021111	Seclusion Cove	L6860	1FT	10W	W22	10°	RDM 1PXL	AC	ETL White
SC.186213021111	Seclusion Cove	L6860	1FT	10W	W27	10°	RDM 1PXL	AC	ETL White
SC.186313021111	Seclusion Cove	L6860	1FT	10W	W30	10°	RDM 1PXL	AC	ETL White
SC.186413021111	Seclusion Cove	L6860	1FT	10W	W35	10°	RDM1PXL	AC	ETL White
SC.186513021111	Seclusion Cove	L6860	1FT	10W	W40	10°	RDM 1PXL	AC	ETL White
SC.186713021111	Seclusion Cove	L6860	1FT	10W	W50	10°	RDM 1PXL	AC	ETL White
SC.186813021111	Seclusion Cove	L6860	1FT	10W	W57	10°	RDM1PXL	AC	ETL White
SC.487A13014111	Seclusion Cove	L6860	4FT	40W	DW2257	10°	DMX 4PX	AC	ETL White
SC.487B13014111	Seclusion Cove	L6860	4FT	40W	DW2757	10°	DMX 4PX	AC	ETL White
SC.487C13014111	Seclusion Cove	L6860	4FT	40W	DW2265	10°	DMX 4PX	AC	ETL White
SC.487D13014111	Seclusion Cove	L6860	4FT	40W	DW2765	10°	DMX 4PX	AC	ETL White
SC.187A13011111	Seclusion Cove	L6860	1FT	10W	DW2257	10°	DMX1PX	AC	ETL White
SC.187B13011111	Seclusion Cove	L6860	1FT	10W	DW2757	10°	DMX 1PX	AC	ETL White
SC.187C13011111	Seclusion Cove	L6860	1FT	10W	DW2265	10°	DMX1PX	AC	ETL White
SC.187D13011111	Seclusion Cove	L6860	1FT	10W	DW2765	10°	DMX 1PX	AC	ETL White
SC.487A13024111	Seclusion Cove	L6860	4FT	40W	DW2257	10°	RDM 4PXL	AC	ETL White
SC.487B13024111	Seclusion Cove	L6860	4FT	40W	DW2757	10°	RDM 4PXL	AC	ETL White
SC.487C13024111	Seclusion Cove	L6860	4FT	40W	DW2265	10°	RDM 4PXL	AC	ETL White
SC.487D13024111	Seclusion Cove	L6860	4FT	40W	DW2765	10°	RDM 4PXL	AC	ETL White
SC.187A13021111	Seclusion Cove	L6860	1FT	10W	DW2257	10°	RDM 1PXL	AC	ETL White
SC.187B13021111	Seclusion Cove	L6860	1FT	10W	DW2757	10°	RDM 1PXL	AC	ETL White
SC.187C13021111	Seclusion Cove	L6860	1FT	10W	DW2265	10°	RDM 1PXL	AC	ETL White
SC.187D13021111	Seclusion Cove	L6860	1FT	10W	DW2765	10°	RDM 1PXL	AC	ETL White
SC.483313014111	Seclusion Cove	L6860	4FT	40W	RGBW30(Q)	10°	DMX 4PX	AC	ETL White
SC.483513014111	Seclusion Cove	L6860	4FT	40W	RGBW40(Q)	10°	DMX 4PX	AC	ETL White
SC.183313011111	Seclusion Cove	L6860	1FT	10W	RGBW30(Q)	10°	DMX 1PX	AC	ETL White
SC.183513011111	Seclusion Cove	L6860	1FT	10W	RGBW40(Q)	10°	DMX 1PX	AC	ETL White
SC.483313024111	Seclusion Cove	L6860	4FT	40W	RGBW30(Q)	10°	RDM 4PXL	AC	ETL White
SC.483513024111	Seclusion Cove	L6860	4FT	40W	RGBW40(Q)	10°	RDM 4PXL	AC	ETL White
SC.183313021111	Seclusion Cove	L6860	1FT	10W	RGBW30(Q)	10°	RDM 1PXL	AC	ETL White
SC.183513021111	Seclusion Cove	L6860	1FT	10W	RGBW40(Q)	10°	RDM 1PXL	AC	ETL White
SC.481314014111	Seclusion Cove	L6860	4FT	40W	RGBW30(Q)	12°	RDM 4PXL	AC	ETL White
SC.181314011111	Seclusion Cove	L6860	4FT	40W	RGBW40(Q)	12°	RDM 4PXL	AC	ETL White
SC.481314024111	Seclusion Cove	L6860	1FT	10W	RGBW30(Q)	12°	RDM 1PXL	AC	ETL White
SC.181314021111	Seclusion Cove	L6860	1FT	10W	RGBW40(Q)	12°	RDM 1PXL	AC	ETL White

## Network Topology



One STICK\_CW4 sub-controller can be connected with 2\*30pcs RGBW/4ft luminaires.  
 One L5015 control box can be connected with 30pcs RGBW/4ft luminaires in a daisy chain, and the maximum line length does not exceed 100 meters.

## Controller

### STICK\_CW4

Touch-sensitive smart control panel



This DMX controller is mainly aimed at installation projects for architectural lighting and can meet the project with easy use and high-level programming (color change effects, specific colors, etc.). The controller provides a concise and friendly control panel. Equipped with an on/off button, 6 scene buttons, a color wheel, console is very suitable for hotels, homes and public environments. 1024 DMX channels, Wi-Fi connection for remote network control and calendar trigger of the views, CW4 model is equipped with many advanced features. Programmable via PC or Mac USB connection, up to 36 scenes can be stored in the controller and retrieved directly via the 6 touch buttons.

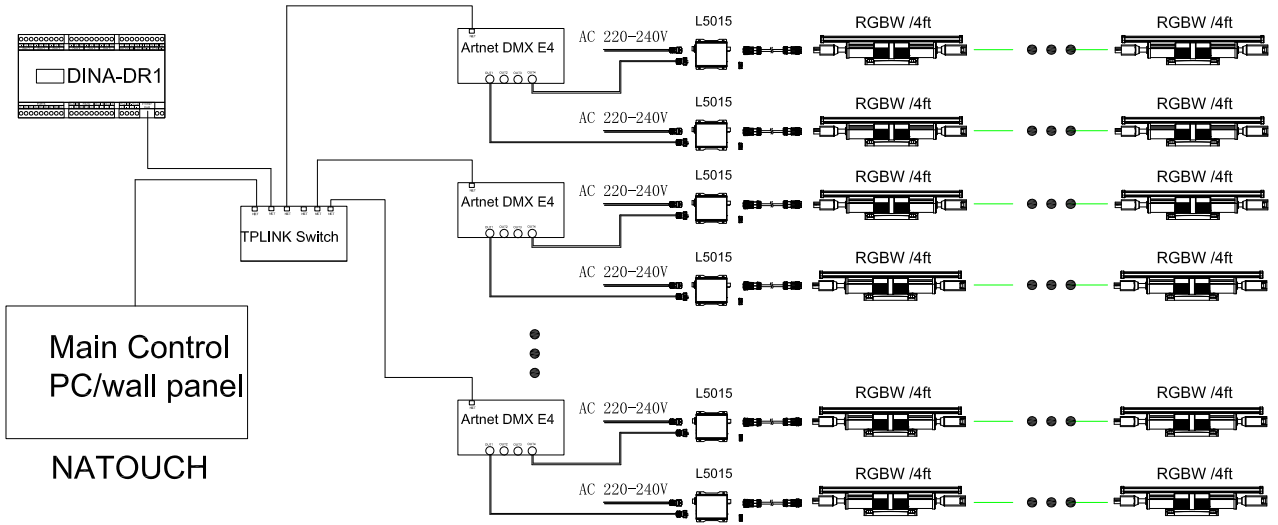
### Key Features

- \*DMX offline control
- \*Compatible with DMX fixtures or DMX LED drivers
- \*Direct use (with pre-built 8 scenes and 170 RGB fixtures) \*Simple black glass design that 11mm out of the wall
- \*Color wheel (can be used for scene)
- \*12 touch buttons, no structural parts
- \*Touch wheel for precise color selection
- \*Built-in program storage
- \*Up to 36 dynamic static scenes
- \*1024 DMX channels, controlling 340 RGB fixtures.
- \*Clock and calendar can achieve sunrise/sunset trigger \*WiFi network connection communication, remote control for fixtures
- \*USB connection for programming and control
- \*8 main contact trigger ports
- \*Windows/Mac system for programming dynamic colors/effects

### Technical Data

Input voltage: 5-15V DC 0.6A; Output protocol: DMX512 (x2);  
 Programmable platform: Mac;  
 Color: black;  
 Connection: USB;  
 8-point port;  
 Open output port (for relay use);  
 Memory: Built-in flash memory; Temperature: -0°C - 45 °C;  
 Battery: LIR1220;  
 Installation: Single or double axis wall mounting;  
 Dimension: 146 x06x11mm;  
 Weight: 200g;  
 Standards: EC, EMC, Rohs.

## Network Topology



One Artnet DMX E4 sub-controller can be connected with 4\*30pcs RGBW/4ft luminaires, and up to 99pcs Artnet DMX E4 sub-controllers can be connected in series.  
 One L5015 control box can be connected with 30pcs RGBW/4ft luminaires in a daisy chain, and the maximum line length does not exceed 100 meters.  
 An 8-channel switch can be connected with 6pcs Artnet DMX E4 sub-controllers, and a 16-channel switch can be connected with 14pcs Artnet DMX E4 sub-controllers.

## DINA-DR1 Controller

### DINA rail mounted - Advanced lighting controller



### DINA-DR1

The DINA-DR1 is a lighting controller for the most ambitious of projects, outputting 6 DMX512 universes (3072 channels) in 20 zones, eDMX and DALI simultaneously. Trigger lighting scenes using calendar triggers and conditional rules. Connect to the Nicolaudio Cloud for remote control and management. Lighting levels, color and effects can be programmed from a PC or Mac. Remote control from iPhone/iPad, Android, Win & Mac.

#### Key Features

- DMX512 / eDMX / LED Pixel Stand Alone controller
  - DR1 6x Universes (3072 channels)
  - DR1 LITE 2x Universes (1024 channels)
  - Output Universes via DMX512 (up to 6 universes) & Artnet/sACN (up to 12 universes with SUT universe upgrade)
  - 2x DALI buses (single-master) \*
  - SUT Technology allows the device to be upgraded with more universes & used with other Nicolaudio Group software
  - USB & Ethernet connectivity
  - Stand Alone mode with 2000 scenes & 20 zones
  - 16MB flash memory & microSD slot
  - 8 dry contact trigger ports
  - RDM compatible
  - Windows/Mac software for programming
  - iPhone/iPad/Android/Mac & Windows apps for remote control
  - Compatible with NATouch-1 wall controller
  - Control 2 external relays
  - Nicolaudio Cloud \*: Remote control and management via internet connection (subscription required)
  - Audio triggering / sound-to-light \*
  - RS232 protocol scene control \*
- Future features
- Direct support for LED Pixel Tape \*
- \* Optional features with DR1 LITE model  
 Optional 12V AC/DC power supply

#### Technical Data

Input Power 12v DC (8-15V range)  
 Output Protocol DMX512(x6), DALI-2, eDMX, LED Pixel (SPIx2)  
 Programmability PC, Mac, Android, iOS  
 Connections USB-C  
 Ethernet  
 Scew terminals for  
 - 6 DMX / RDM Universes  
 - LED Pixel (coming)  
 - 2 DALI loops  
 - 8 Contact ports  
 - Relay  
 - 12v power-in & pass through  
 - RS232 scene trigger  
 - Audio in  
 Battery holder (LIR2032 3.6v), microSD slot

TCP Connections 10 + 1 cloud  
 Memory 16MB flash, SD Card (max 32Gb, FAT32)  
 Environment Ip20  
 Buttons 2 scene, 2 page, 1 reset  
 Dim / Weight 160 x 91 x 62 mm 317g  
 OS Requirements Mac OSX 10.13+, Win 10/11  
 Standards ETL, Low voltage, EMC, and RoHS

## Data Injector Box



L5015

The L5019.0 is a control box that integrates power supply and signal amplification. It is equipped with one port of power output + DMX512/RDM signal output and one port of daisy chain signal output. It features automatic address allocation and long transmission distance.

Max.Daisy Chain: 32pcs

Max.Signal Connection Length: 100 meters

Max.Output Current: 10A

Control Protocol: RDM/DMX512

Input Voltage: AC120-277V

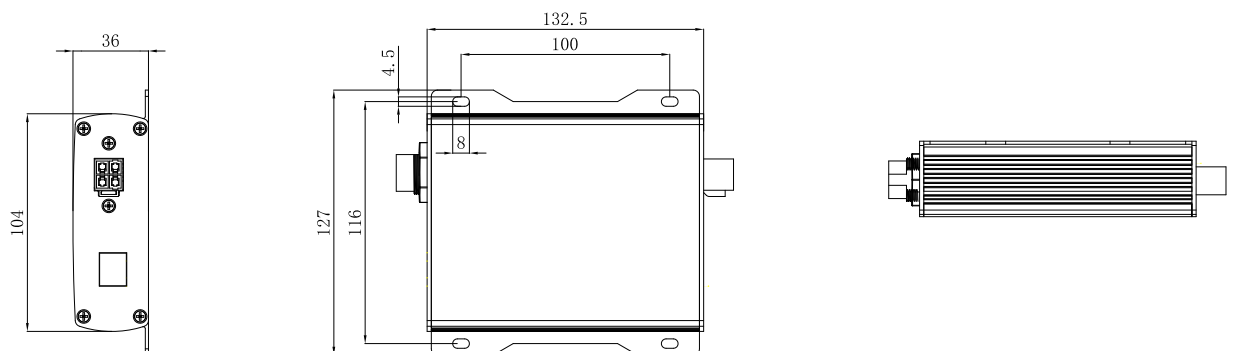
Power Consumption: 2W

### Key Features

- \* available to distribute DMX address;
- \* available to expand the power, each additional box available to increase 10A current to the load
- \* signal with isolation, protecting the fixtures in each run, to prevent all signal lines from being burned out at once due to incorrect wiring;
- \* with the function of signal transfer and amplification;
- \* the box signal available to be deeply cascaded for more than 32 levels without distortion;
- \* the maximum signal connection length of each box available to reach 100 meters.

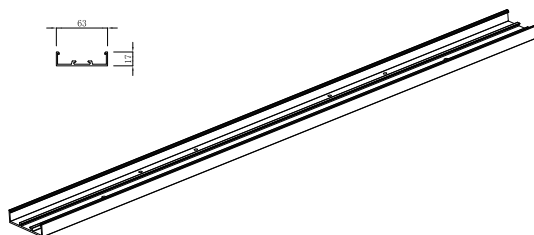
### Technical Data

- \* Max.Output Current: 10A
- \* Control Protocol: RDM/DMX512
- \* Input Voltage: AC120-277V
- \* Power Consumption: 2W
- \* Baud Rate: 500K
- \* Isolation Voltage: 3000V
- \* Signal Type: Isolation Rs485
- \* Certifications: UL, CE,
- \* Housing: Stretched Aluminum
- \* IP Rating: IP42
- \* Wiring Method: 2-in & 2-out
- \* Dimensions: 127\*132.5\*36mm



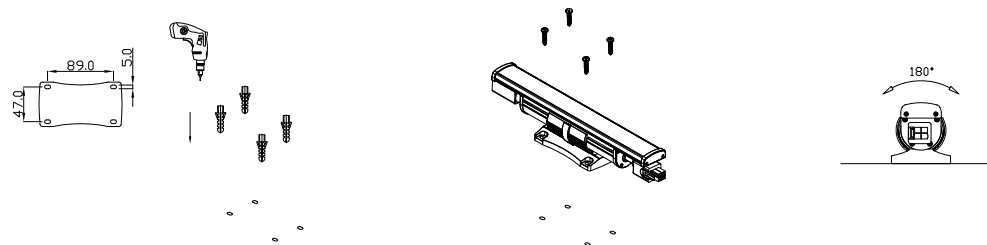
One L5015 control box can be connected with 30pcs RGBW/4ft luminaires in a daisy chain, and the maximum line length does not exceed 100 meters.

## Installing Track



## Installation

### • Surface mounting

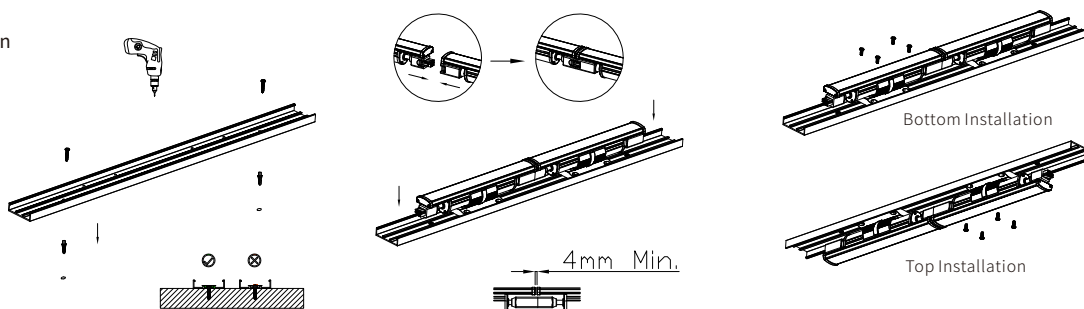


1. After placing the whole lamp mounting bracket on the mounting surface, mark out the positions of the 4 lamp mounting holes, and drill out 4 M5 expansion screw holes.

2. Align the rectangular hole of the whole lamp mounting bracket with the expansion screw on the mounting surface and then tighten the mounting bracket.

3. Manually adjust the orientation well.

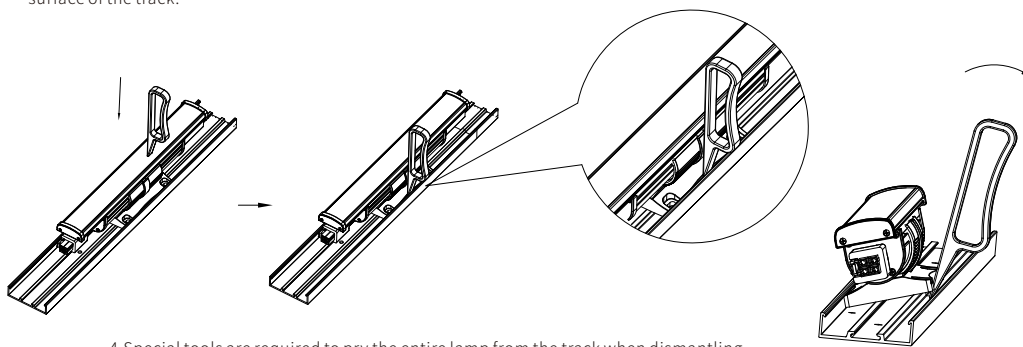
### • Track installation



1. After placing the installation track on the installation surface, mark out the positions of the 2 installation holes, drill out 2 M5 screw holes with an electric drill, and the screw head must not be higher than the inner support surface of the track.

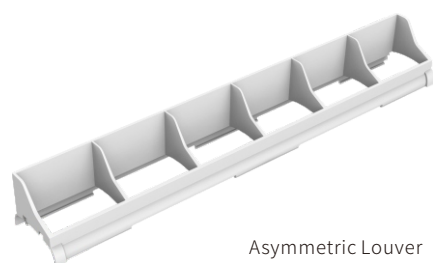
2. Slip the whole lamp into the installation track and complete the docking, the minimum spacing between lamps is 4mm.

3. Fix the entire lamp to the mounting track with screws.



4. Special tools are required to pry the entire lamp from the track when dismantling.

## Optical accessories



Asymmetric Louver

